



US00D874215S

(12) **United States Design Patent**
Hansen et al.

(10) **Patent No.:** **US D874,215 S**

(45) **Date of Patent:** **** Feb. 4, 2020**

(54) **LIQUID POURING ATTACHMENT**

7,195,137 B2 *	3/2007	Belcastro	A47G 23/0233	220/254.3
D562,623 S *	2/2008	Nybakke	D7/387	
D586,178 S *	2/2009	Ku	D7/392.1	
D699,509 S *	2/2014	El-Saden	D7/392.1	
D713,672 S *	9/2014	Ho	D7/392.1	
D750,426 S *	3/2016	Bann	D7/392	
D756,702 S *	5/2016	Joseph	D7/392.1	
D758,793 S *	6/2016	Ho	D7/392.1	
D762,085 S *	7/2016	McDonald	D7/392	
D762,414 S *	8/2016	McDonald	D7/392	
D793,154 S *	8/2017	Sorensen	D7/392.1	
D808,212 S *	1/2018	Deacon	D7/392	
2012/0225175 A1 *	9/2012	Lown	A47J 31/06	426/435

(71) Applicant: **Utah Innotech, LLC**, Bountiful, UT (US)

(72) Inventors: **Kate Hansen**, Bountiful, UT (US);
Bryce Hansen, Bountiful, UT (US);
Jason Klug, Bountiful, UT (US);
Aaron Nelson, Bountiful, UT (US); **Ed Packer**, Bountiful, UT (US); **Kent Ogden**, Bountiful, UT (US)

(73) Assignee: **Culinesco, LLC**, Bountiful, UT (US)

(**) Term: **15 Years**

(21) Appl. No.: **29/648,257**

(22) Filed: **May 18, 2018**

(51) **LOC (12) Cl.** **07-01**

(52) **U.S. Cl.**
USPC **D7/392; D7/392.1**

(58) **Field of Classification Search**
USPC **D7/397, 317, 392, 392.1, 393; 222/488, 222/254.3**

CPC **A47J 31/06; A23F 3/18**
See application file for complete search history.

(56) **References Cited**

U.S. PATENT DOCUMENTS

D110,140 S *	6/1938	Gamble	D7/392
D272,211 S *	1/1984	Rock	D8/323
D420,545 S *	2/2000	Huang	D7/317
D490,266 S *	5/2004	Imai	D7/317
D535,854 S *	1/2007	Schreitmuller	D7/316

* cited by examiner

Primary Examiner — Marianne N Pandozzi

(74) *Attorney, Agent, or Firm* — Thorpe North & Western, LLP

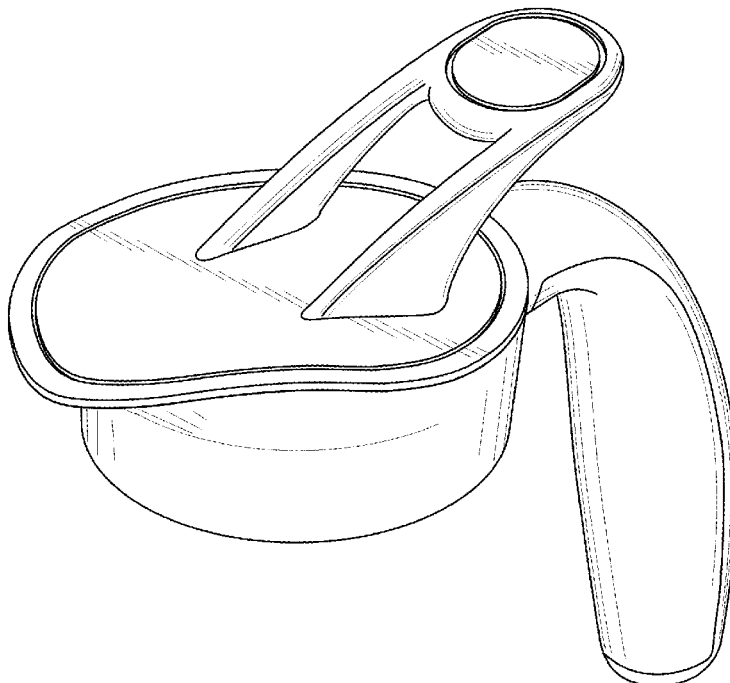
(57) **CLAIM**

The ornamental design for a liquid pouring attachment, as shown and described.

DESCRIPTION

FIG. 1 is a top right perspective view of a liquid pouring attachment in accordance with my invention;
FIG. 2 is a right view thereof;
FIG. 3 is a left view thereof;
FIG. 4 is a front view thereof;
FIG. 5 is a back view thereof;
FIG. 6 is a top view thereof; and,
FIG. 7 is a bottom view thereof.
The broken lines in the drawing depict portions of the liquid pouring attachment that form no part of the claimed design.

1 Claim, 5 Drawing Sheets



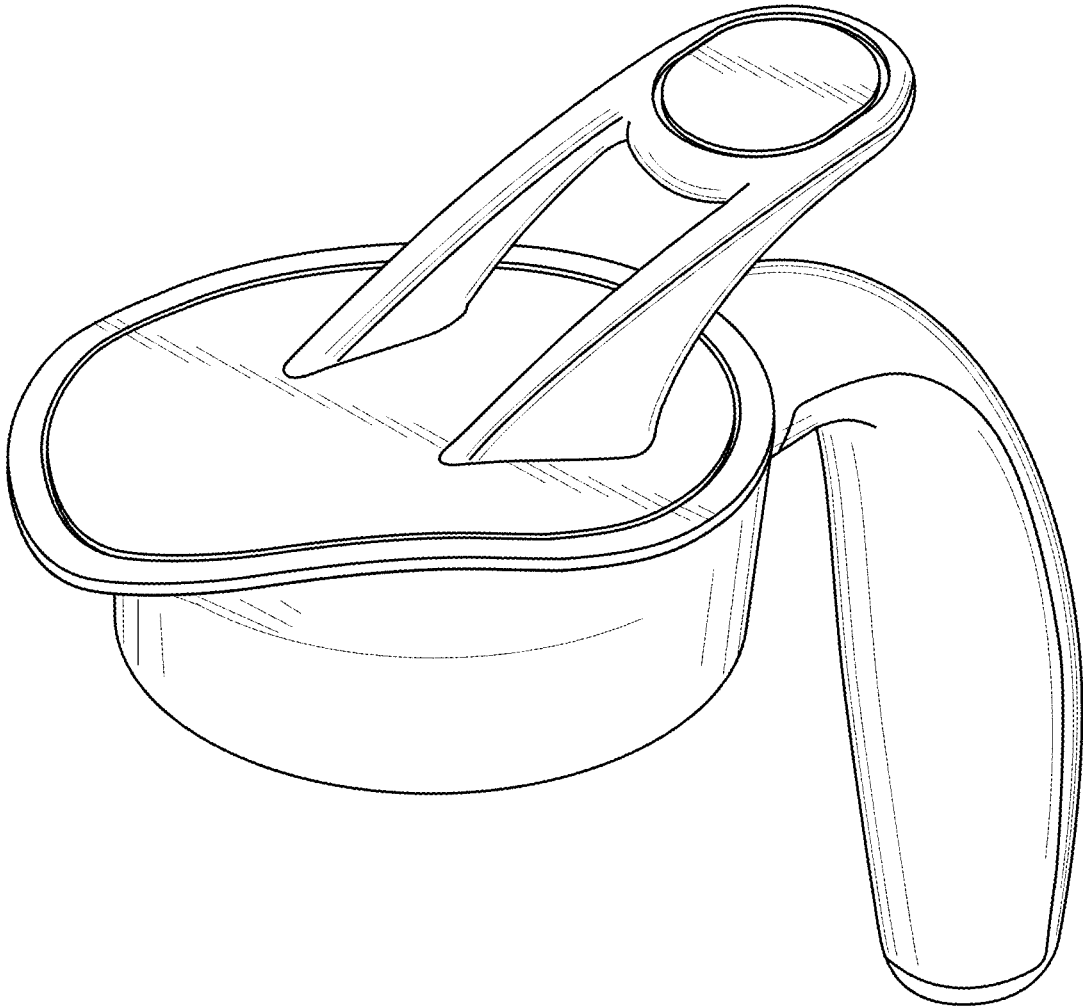


FIG. 1

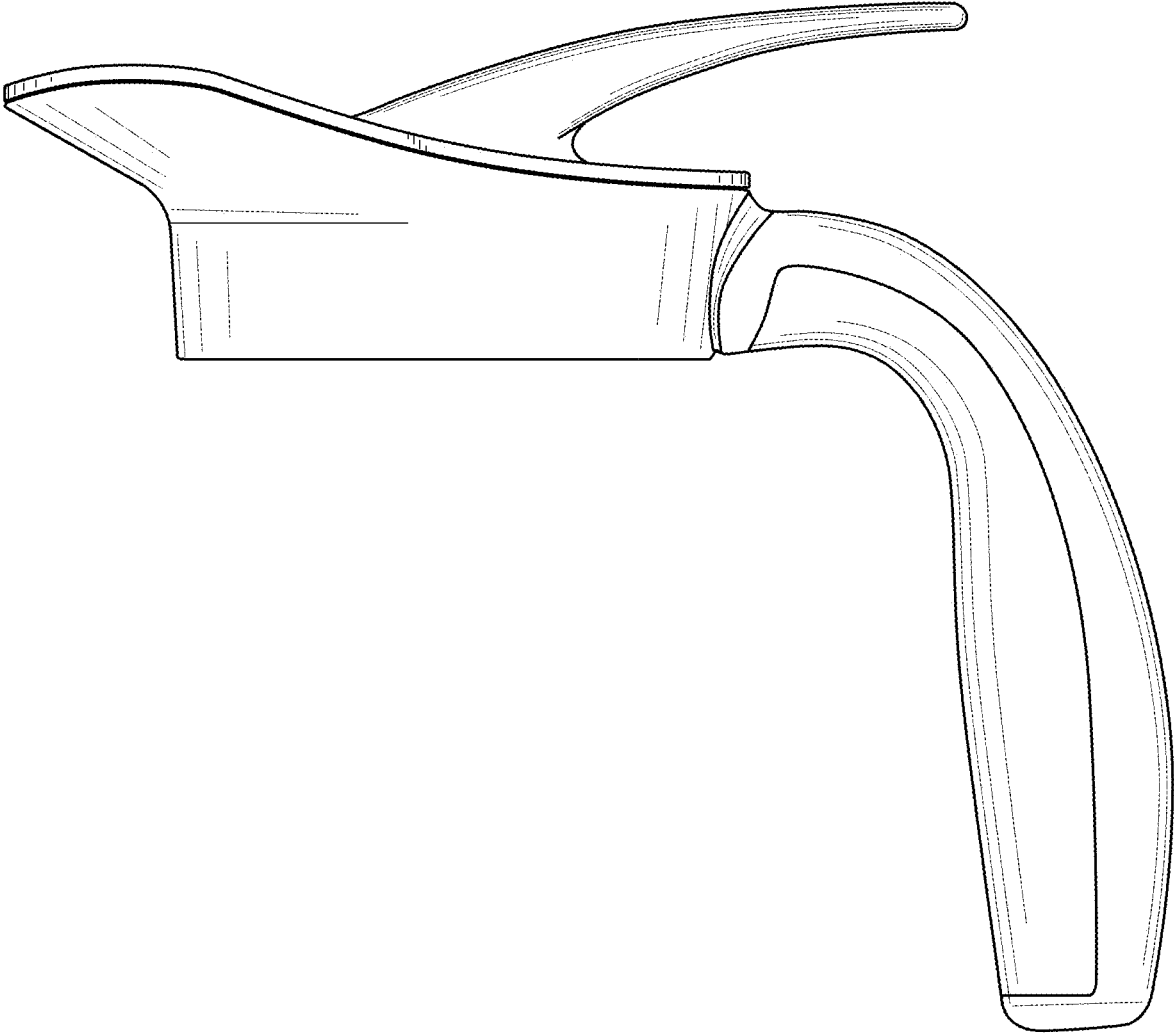


FIG. 2

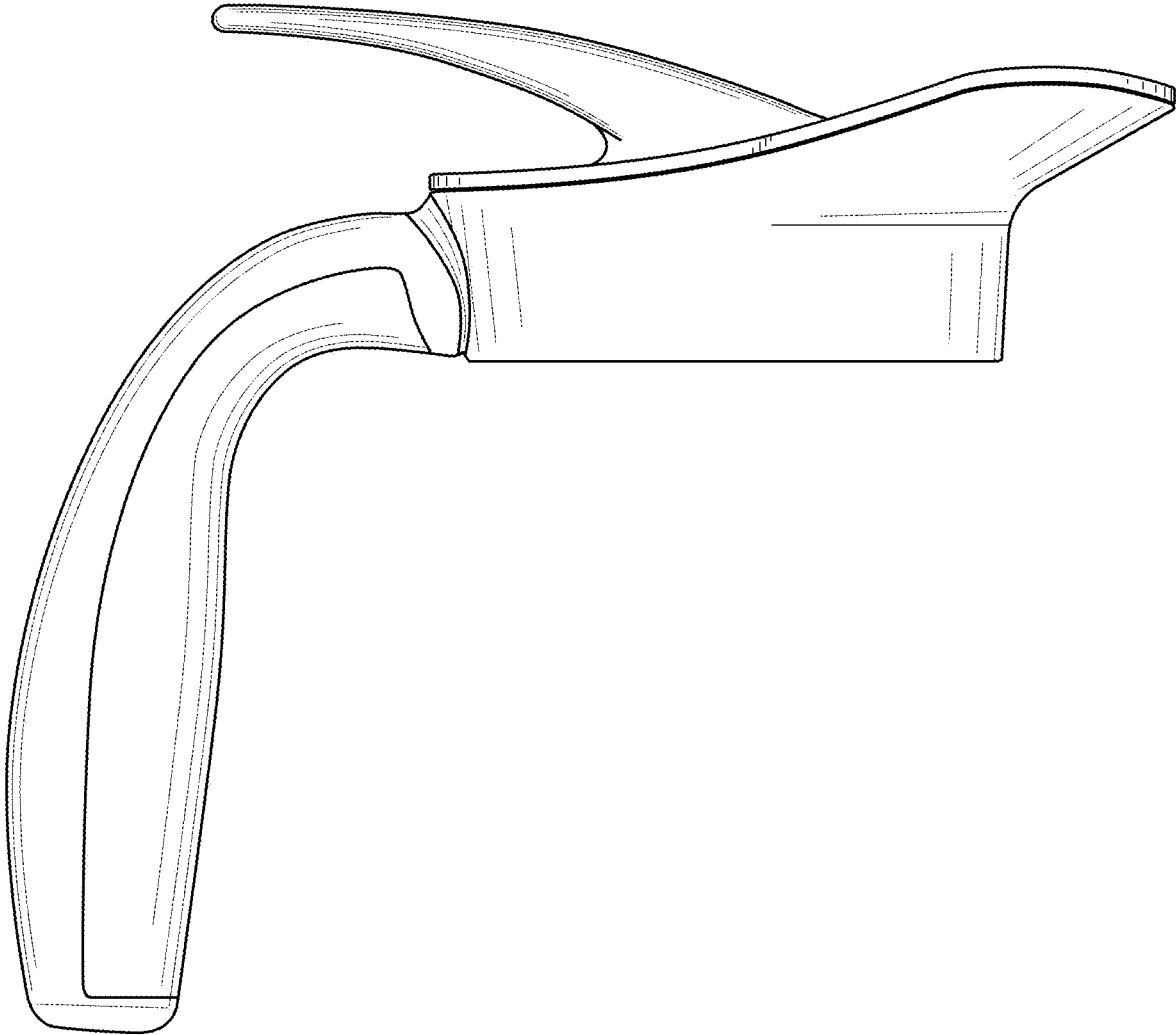


FIG. 3

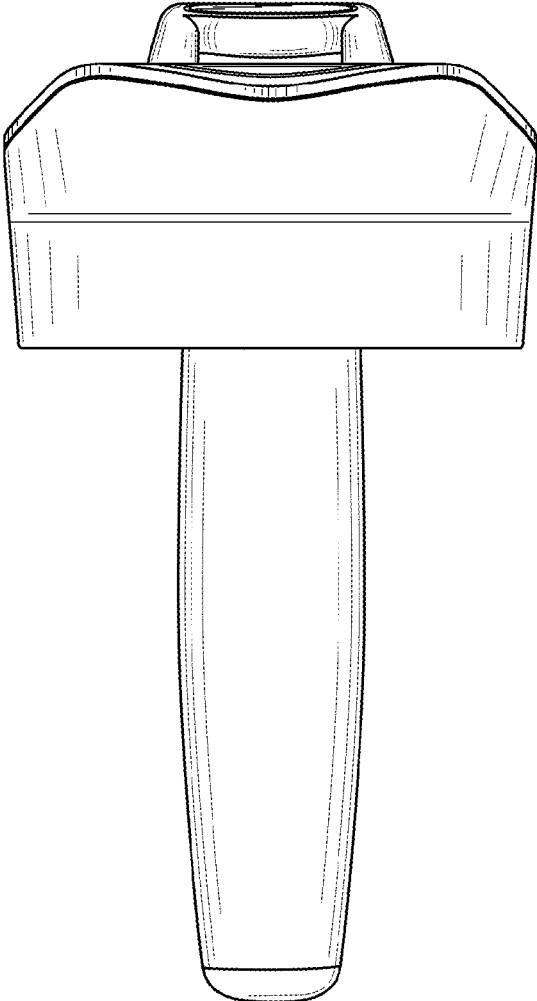


FIG. 4

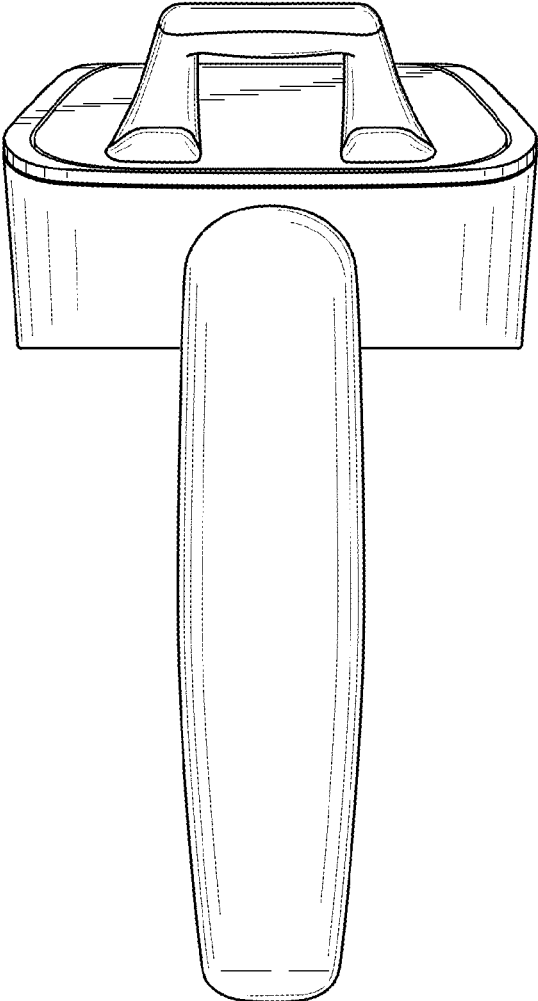


FIG. 5

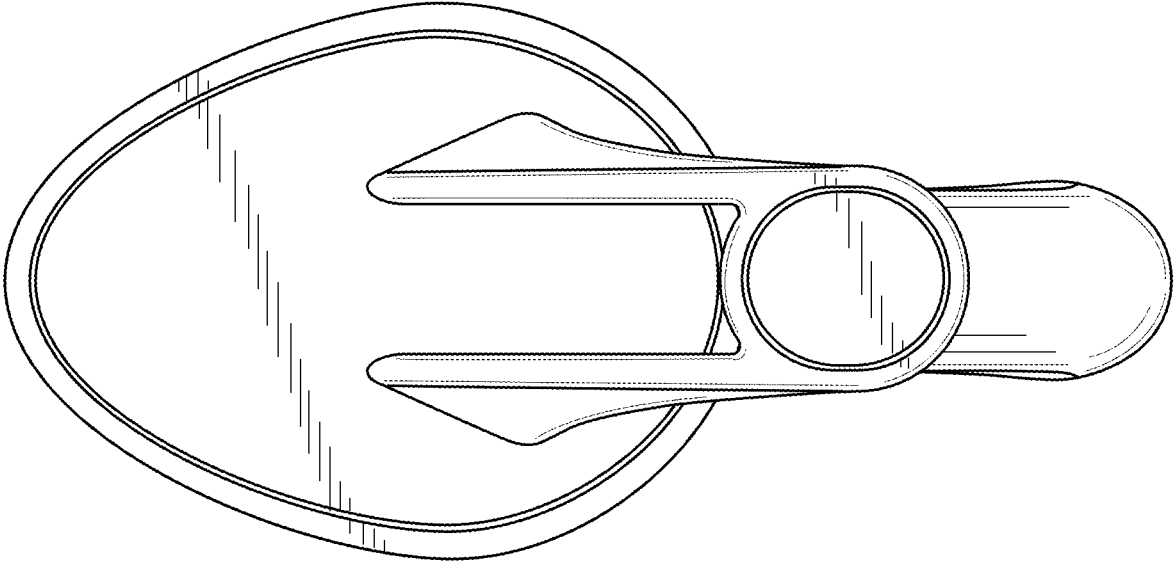


FIG. 6

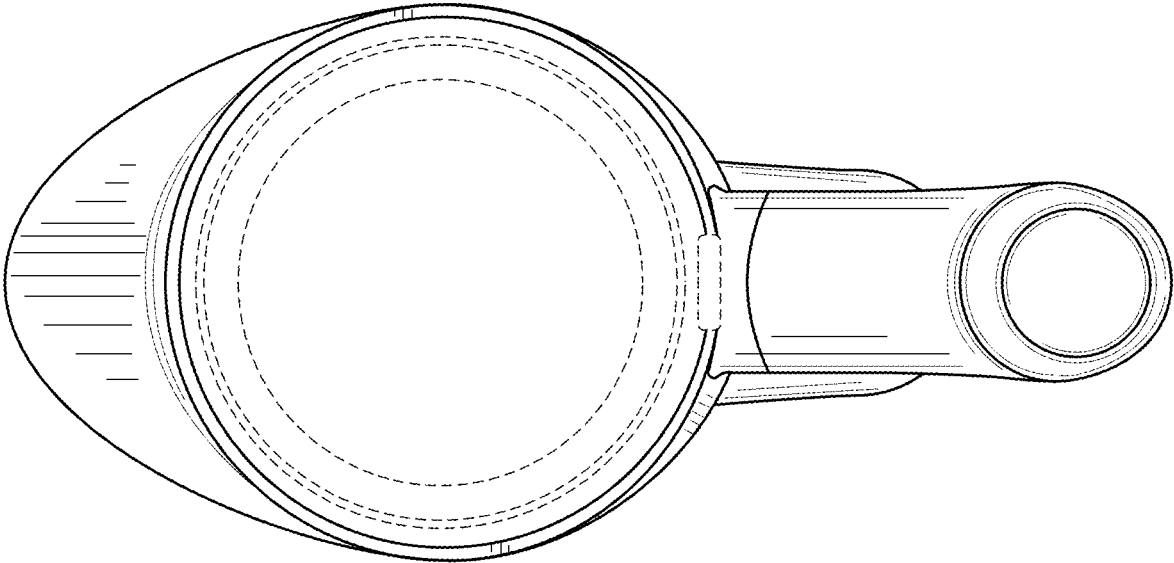


FIG. 7