



US00D993711S

(12) **United States Design Patent**
Hansen et al.

(10) **Patent No.:** **US D993,711 S**
(45) **Date of Patent:** **** Aug. 1, 2023**

- (54) **LIQUID POURING ATTACHMENT**
- (71) Applicant: **Culinesco, LLC**, Bountiful, UT (US)
- (72) Inventors: **Kate Hansen**, Bountiful, UT (US);
Bryce Hansen, Bountiful, UT (US);
Jason Klug, Bountiful, UT (US);
Aaron Nelson, Bountiful, UT (US); **Ed Packer**, Bountiful, UT (US); **Kent Ogden**, Bountiful, UT (US); **Michael Petri**, Bountiful, UT (US)
- (73) Assignee: **Culinesco, LLC**, Bountiful, UT (US)
- (**) Term: **15 Years**
- (21) Appl. No.: **29/802,911**
- (22) Filed: **Aug. 9, 2021**
- (51) **LOC (14) Cl.** **07-06**
- (52) **U.S. Cl.**
USPC **D7/398**
- (58) **Field of Classification Search**
USPC D7/300, 300.1, 302, 303, 312, 317, 318,
D7/321, 392.1, 392, 397, 398
CPC .. A47G 19/12; A47G 19/14; A47G 2019/122;
A47G 19/127; A47G 19/145; A47G
19/30; A47G 23/0241; A47J 43/27; A47J
36/14; A47J 45/077; A47J 27/21; A47J
31/053; B65D 25/48; B65D 47/06; B65D
25/42
See application file for complete search history.

- 4,058,338 A * 11/1977 Brown A47J 45/077
D7/318
- D247,211 S * 2/1978 Young D9/450
- D389,005 S * 1/1998 Brady D7/319
- D535,854 S * 1/2007 Schreitmueller D7/398
- D536,926 S * 2/2007 Schreitmueller D7/398
- D562,623 S * 2/2008 Nybakke D7/391

(Continued)

OTHER PUBLICATIONS

Ergo Spout Wide, culinesco.com, First available date: Oct. 25, 2022. Retrieved from the internet Feb. 22, 2023<<https://culinesco.com/collections/allproducts/products/ergospoutwide#opinew-plugin> (Year: 2022)*

(Continued)

Primary Examiner — Joseph Kukella
Assistant Examiner — Darryl J Dardenne
(74) *Attorney, Agent, or Firm* — Thorpe North & Western, LLP

(57) **CLAIM**

The ornamental design for a liquid pouring attachment, as shown and described.

DESCRIPTION

FIG. 1 is a top right perspective view of a liquid pouring attachment in accordance with my invention; FIG. 2 is a top left perspective view thereof; FIG. 3 is a left view thereof; FIG. 4 is a right view thereof; FIG. 5 is a front view thereof; FIG. 6 is a back view thereof; FIG. 7 is a top view thereof; and, FIG. 8 is a bottom view thereof.

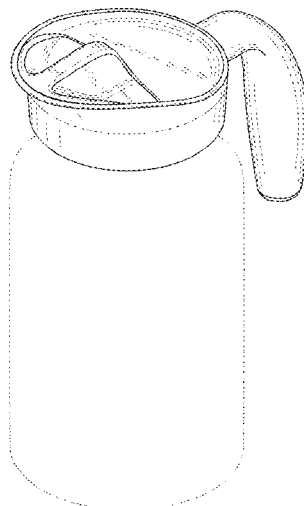
Throughout the drawings the broken lines illustrate unclaimed subject matter only and form no part of the claimed design.

1 Claim, 5 Drawing Sheets

(56) **References Cited**

U.S. PATENT DOCUMENTS

- 3,114,484 A * 12/1963 Serio A47J 45/077
222/475.1
- D200,251 S * 2/1965 Wright D7/398
- 3,241,699 A * 3/1966 Burg A47J 45/066
215/386
- 3,632,025 A * 1/1972 Bloomfield A47G 19/12
222/472
- D245,058 S * 7/1977 Hauenstein D7/318



(56)

References Cited

U.S. PATENT DOCUMENTS

D620,747	S	*	8/2010	Taketani	D7/392.1
D629,645	S	*	12/2010	Chin	D7/392.1
D699,509	S	*	2/2014	El-Saden	D7/392.1
D713,672	S	*	9/2014	Ho	D7/392.1
D750,426	S	*	3/2016	Bann	D7/393
D758,793	S	*	6/2016	Ho	D7/393
D787,875	S	*	5/2017	Melzer	D7/317
D789,725	S	*	6/2017	Kestenbaum	D7/317
D814,235	S	*	4/2018	Shirley	D9/446
D874,215	S	*	2/2020	Hansen	D7/392.1
D874,861	S	*	2/2020	Alexander	D7/317
D922,137	S	*	6/2021	Chen	D9/449
D954,492	S	*	6/2022	Alles	D7/392.1
D968,878	S	*	11/2022	Salim	D7/392
2015/0201771	A1	*	7/2015	Elsaden	A47G 19/127 222/484

OTHER PUBLICATIONS

Ergo Spout Wide, amazon.com, First available date: Oct. 29, 2022.
Retrieved from the internet Feb. 22, 2023<<https://www.amazon.com/Ergo-Spout-mason-pitcher-spout/dp/B0BKX57JKL/> (Year: 2022).*

* cited by examiner

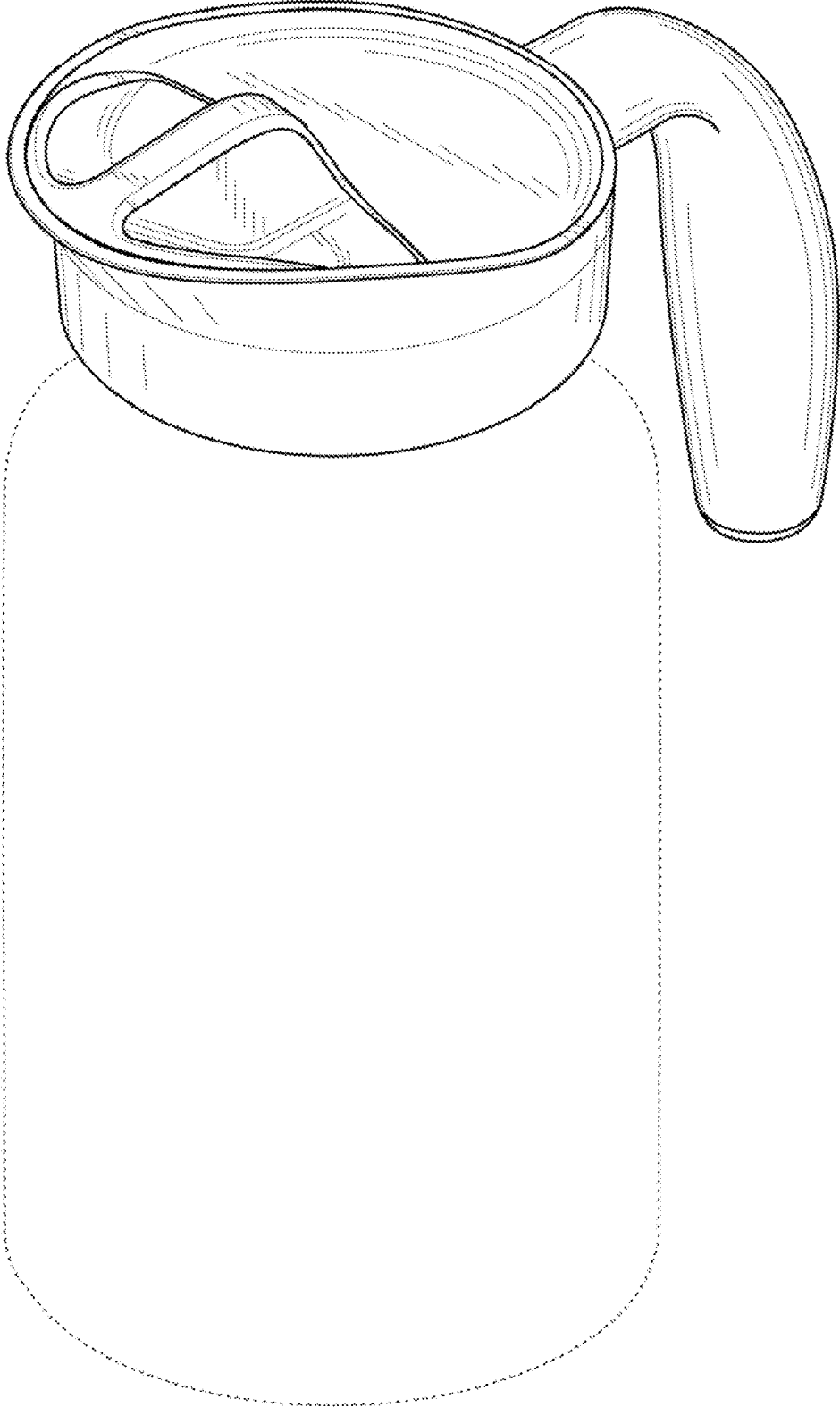


FIG. 1

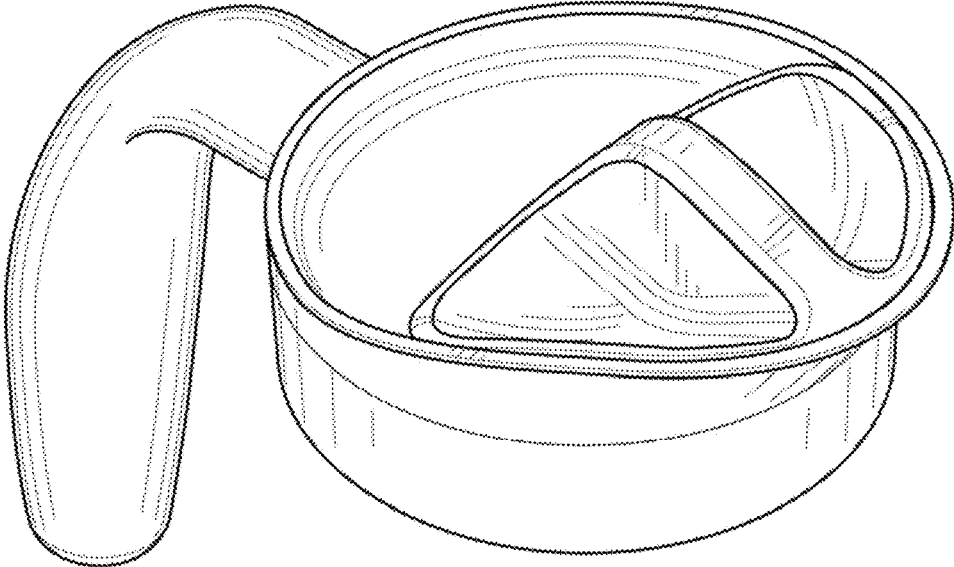
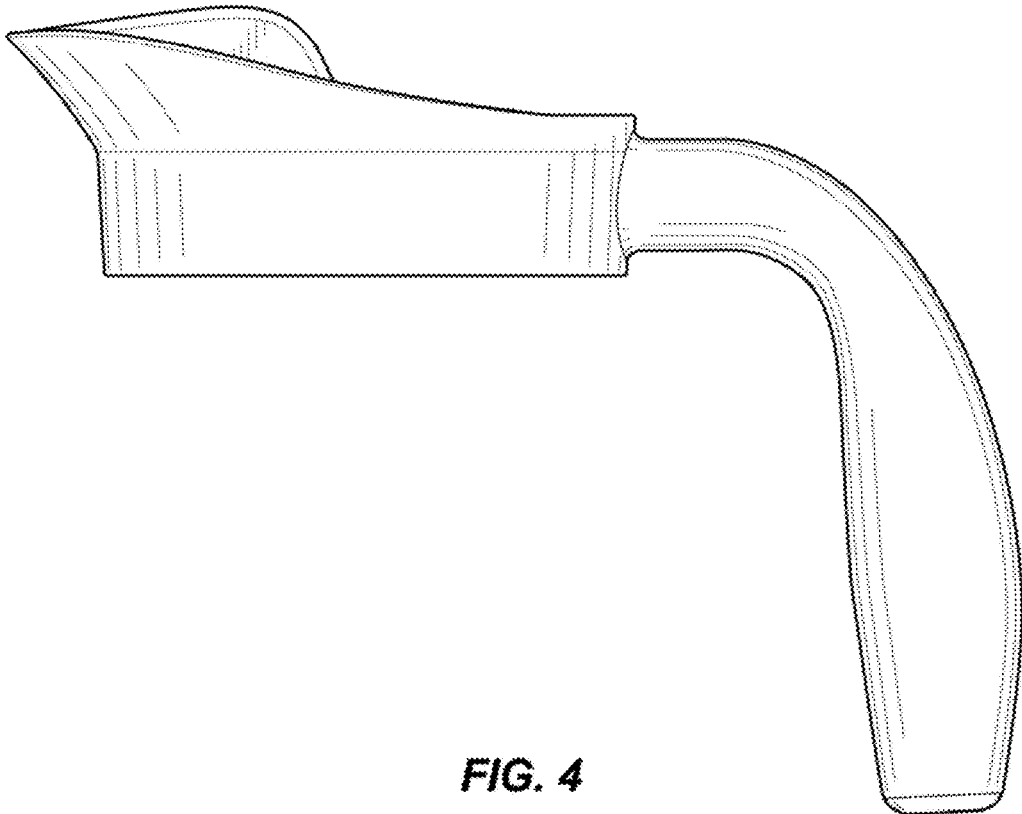
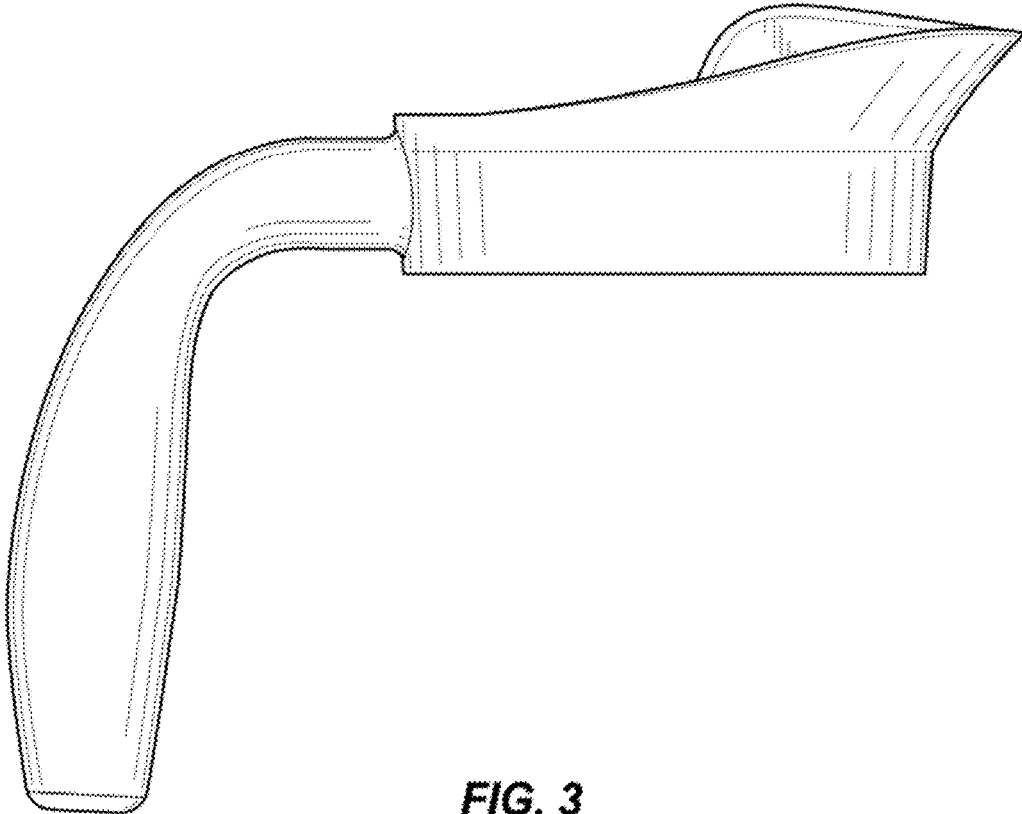


FIG. 2



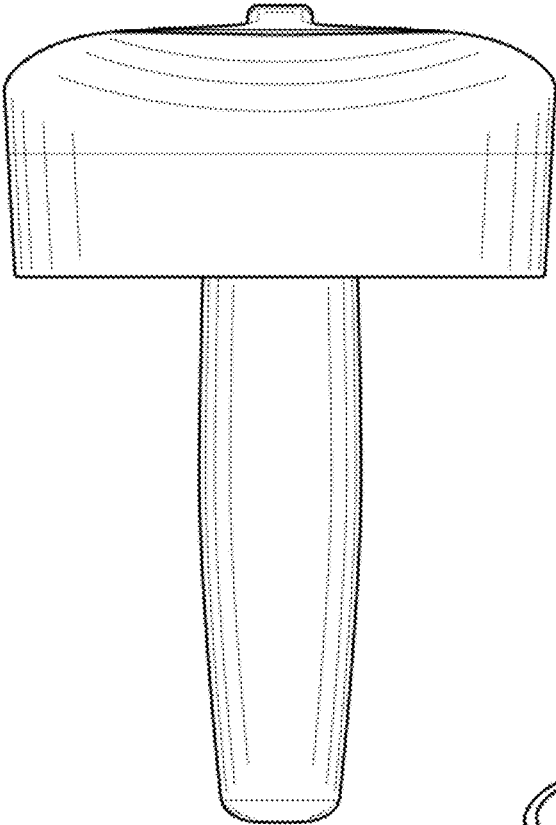


FIG. 5

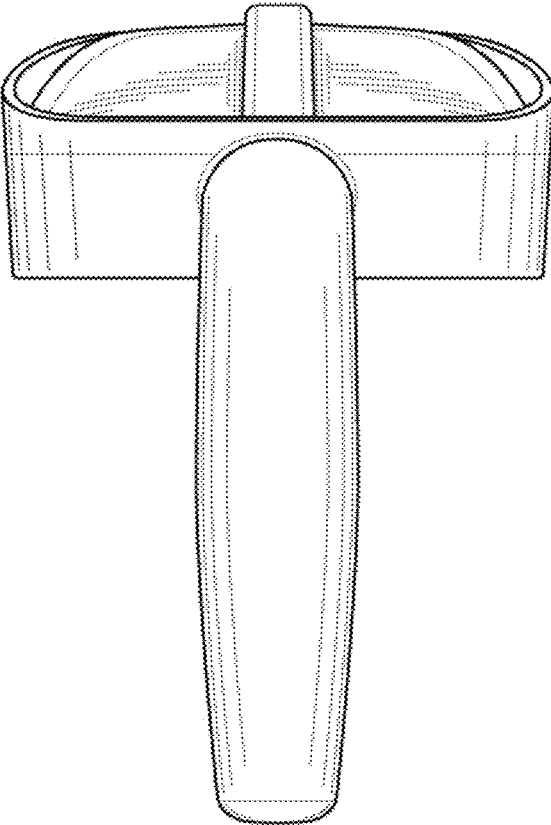


FIG. 6

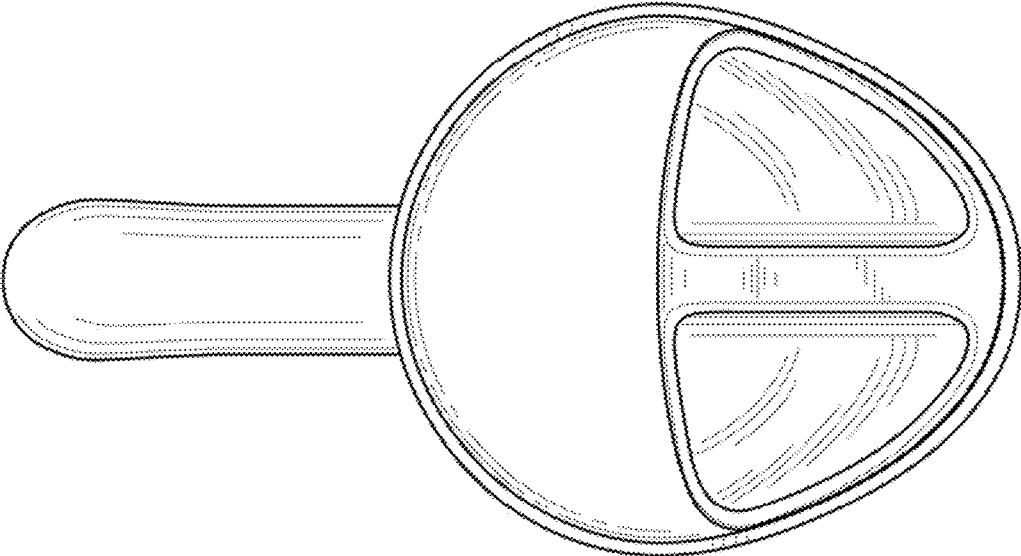


FIG. 7

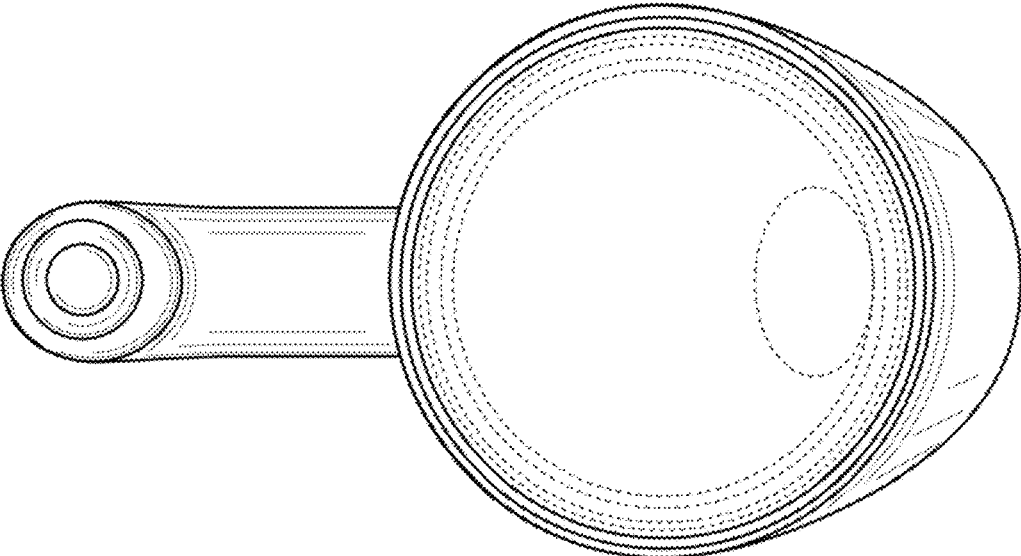


FIG. 8