



US00D973486S

(12) **United States Design Patent**
Reimann

(10) **Patent No.:** **US D973,486 S**

(45) **Date of Patent:** **** *Dec. 27, 2022**

(54) **HEXAGONAL CONTAINER**

(71) Applicant: **Scott Allen Reimann**, Centennial, CO (US)

(72) Inventor: **Scott Allen Reimann**, Centennial, CO (US)

(*) Notice: This patent is subject to a terminal disclaimer.

(**) Term: **15 Years**

(21) Appl. No.: **29/631,379**

(22) Filed: **Dec. 29, 2017**

(51) **LOC (13) Cl.** **09-03**

(52) **U.S. Cl.**
USPC **D9/422; D9/430**

(58) **Field of Classification Search**
USPC D9/414-423, 424-429, 430-432, 433, D9/434, 456, 457, 711, 713, 721-722
CPC ... B65D 5/00; B65D 5/02; B65D 5/18; B65D 5/20
See application file for complete search history.

(56) **References Cited**

U.S. PATENT DOCUMENTS

- 2,112,879 A * 4/1938 Broderick B65D 5/02 206/110
- 2,342,623 A * 2/1944 Aquino B65D 5/02 229/108

- D495,247 S * 8/2004 Keberlein D9/418
- D547,645 S * 7/2007 Sainz D9/420
- D570,682 S * 6/2008 Erden D9/430
- D668,457 S * 10/2012 Mirlitch, III D3/294
- D672,645 S * 12/2012 Giannini D9/430
- D717,163 S * 11/2014 Paulsen D9/431
- D756,037 S * 5/2016 Schlatter D28/85
- D764,278 S * 8/2016 Tulin D9/430
- D764,909 S * 8/2016 Tulin D9/430
- D821,746 S * 7/2018 Heyman D3/240
- D828,031 S * 9/2018 Bloomfield D3/302

* cited by examiner

Primary Examiner — Vy N Koenig
(74) *Attorney, Agent, or Firm* — Husch Blackwell LLP

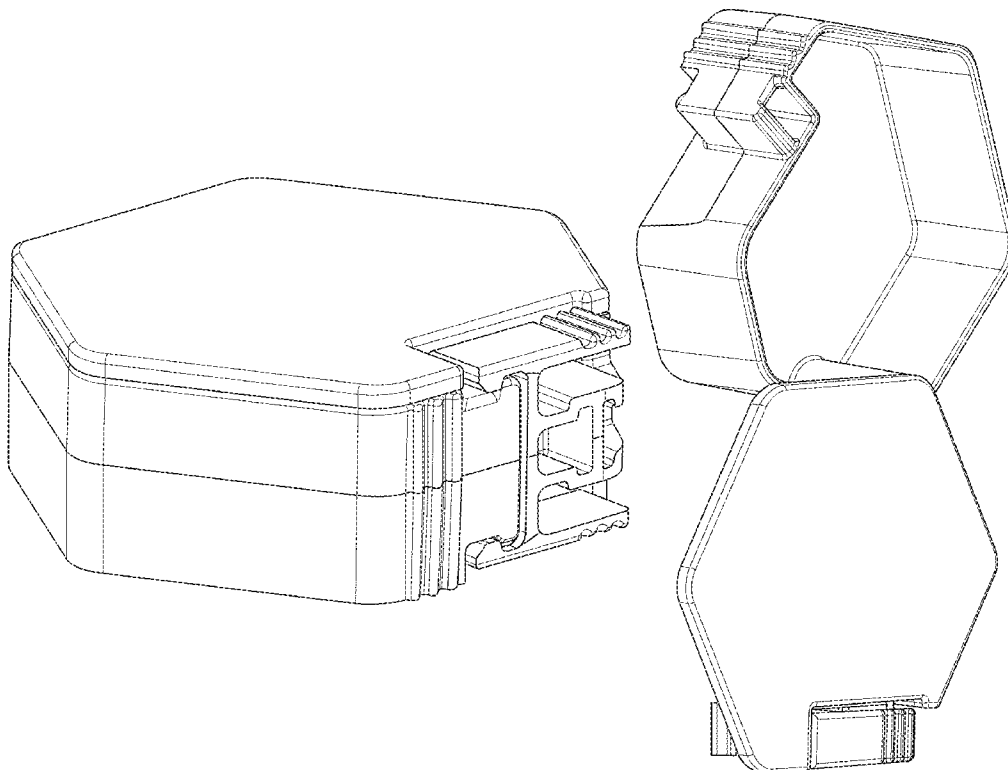
(57) **CLAIM**

The ornamental design for a hexagonal container, as shown and described.

DESCRIPTION

FIG. 1 is a top and side perspective view of a hexagonal container, showing my new design;
 FIG. 2 is a top and front perspective view of a hexagonal container;
 FIG. 3 is a bottom and front perspective view of a hexagonal container;
 FIG. 4 is a top plan view of a hexagonal container;
 FIG. 5 is a bottom plan view of a hexagonal container;
 FIG. 6 is a top perspective view of a hexagonal container in an open configuration; and,
 FIG. 7 is a bottom perspective view of a hexagonal container in an open configuration.

1 Claim, 7 Drawing Sheets



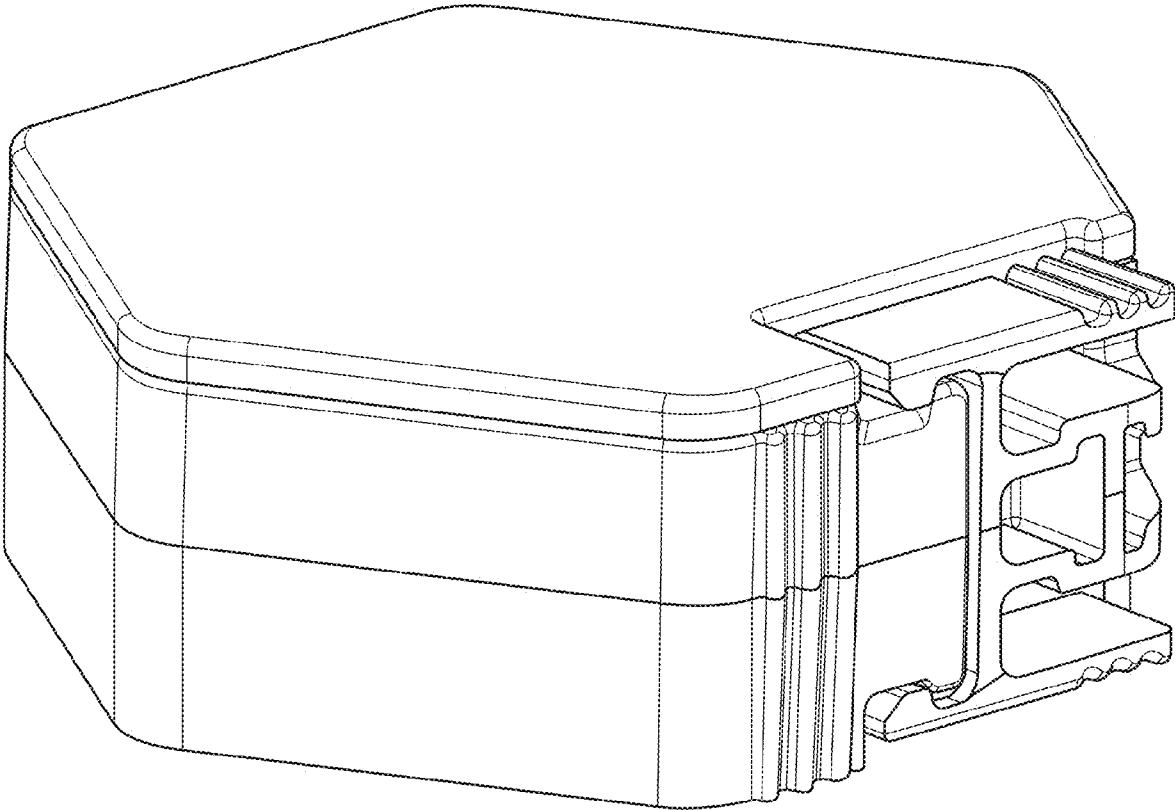


FIG. 1

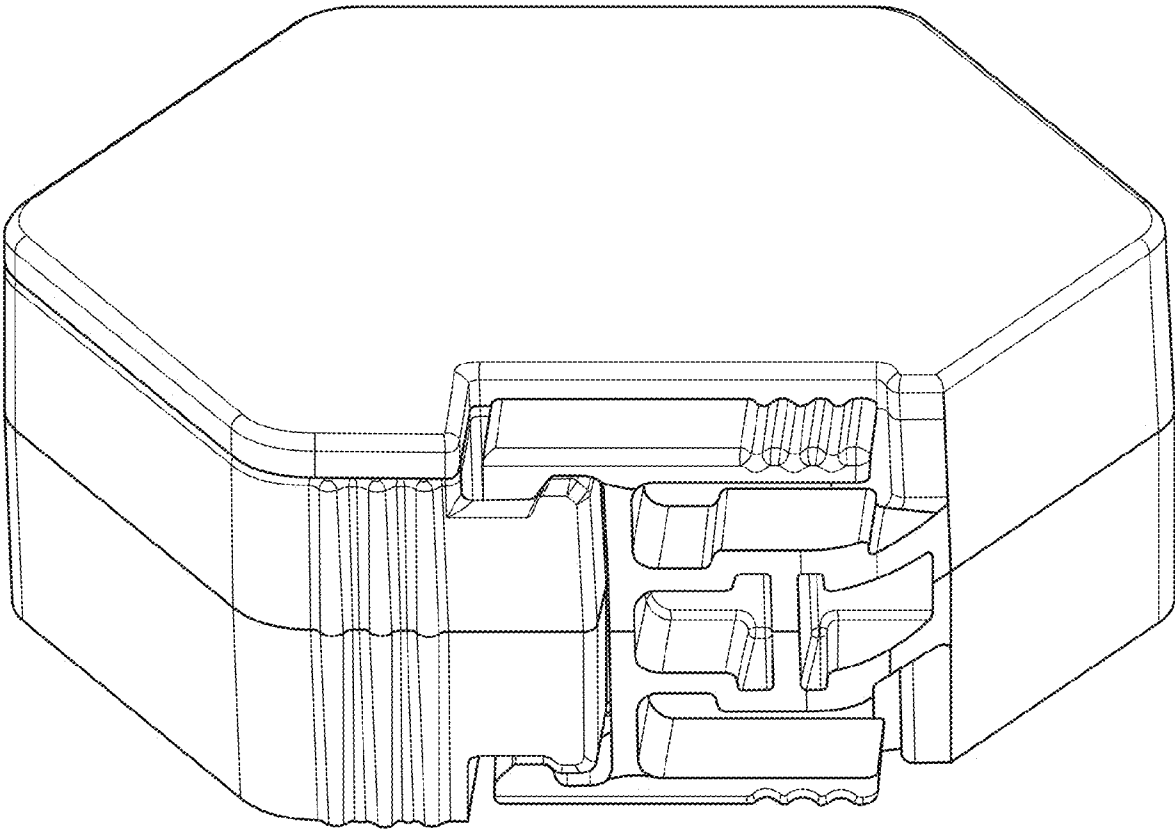


FIG. 2

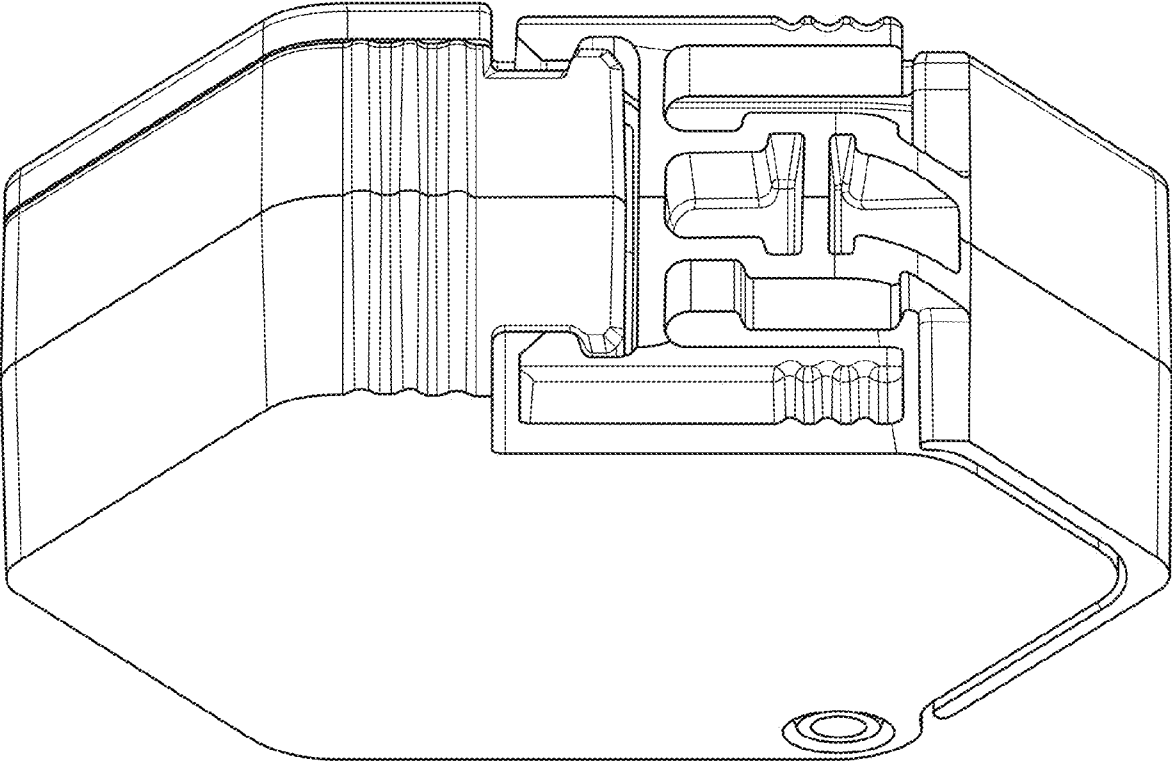


FIG. 3

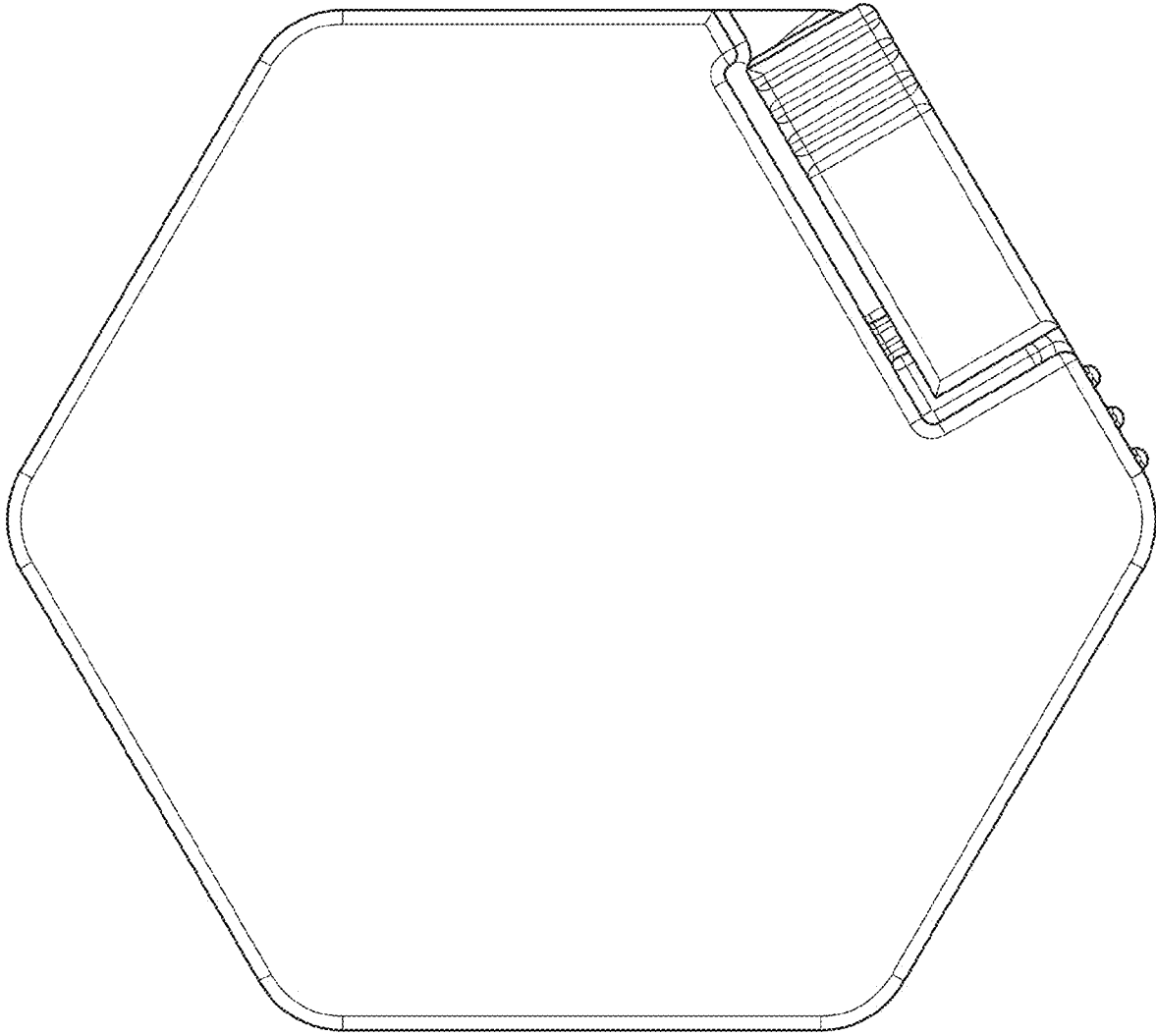


FIG. 4

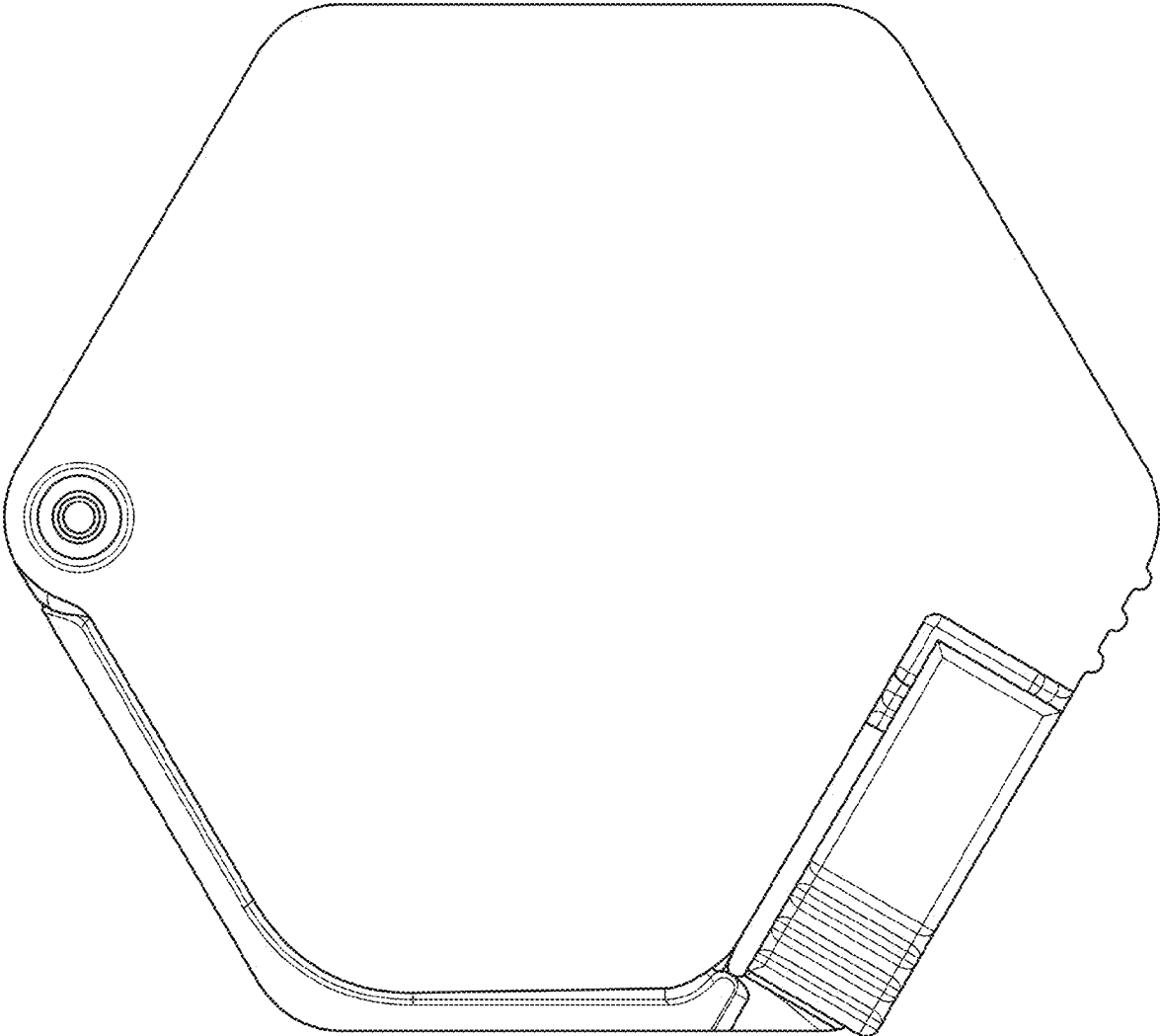


FIG. 5

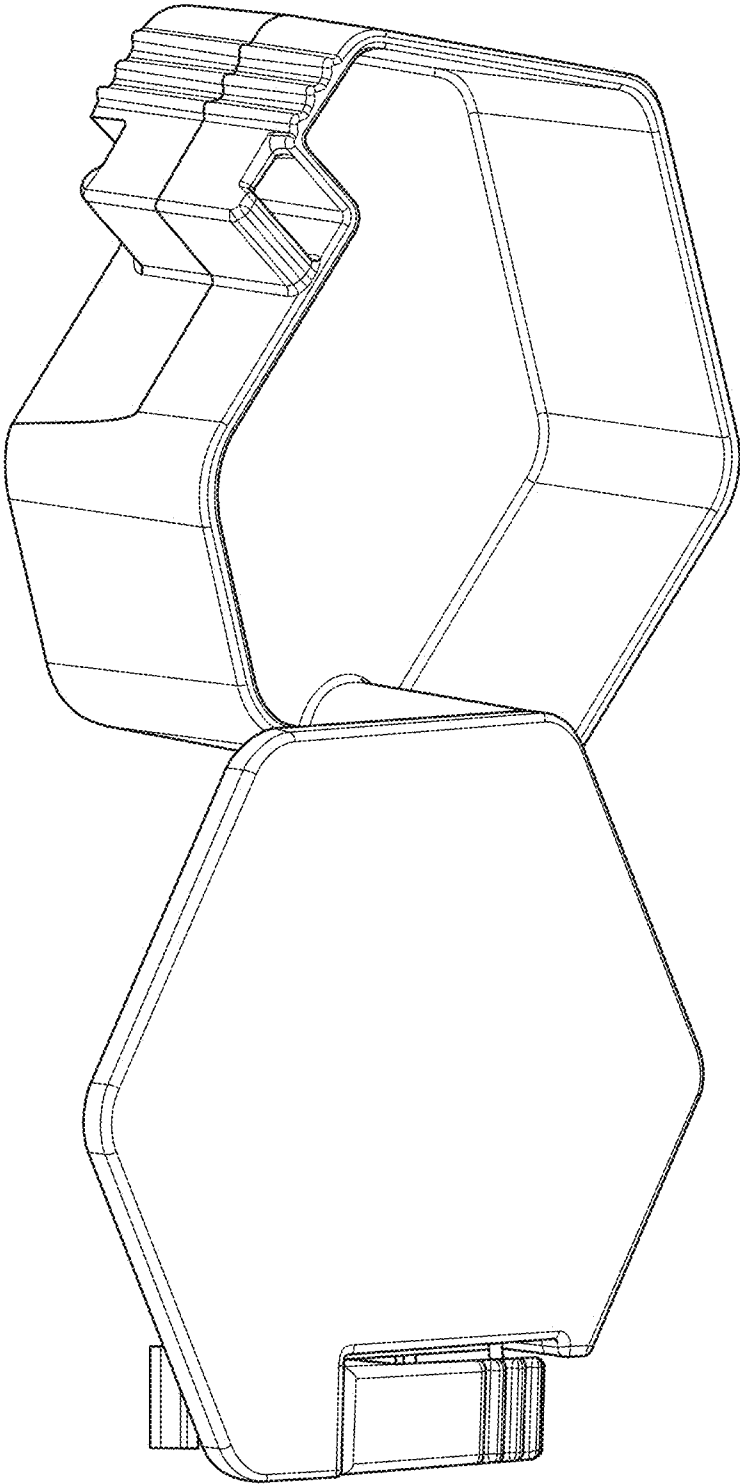


FIG. 6

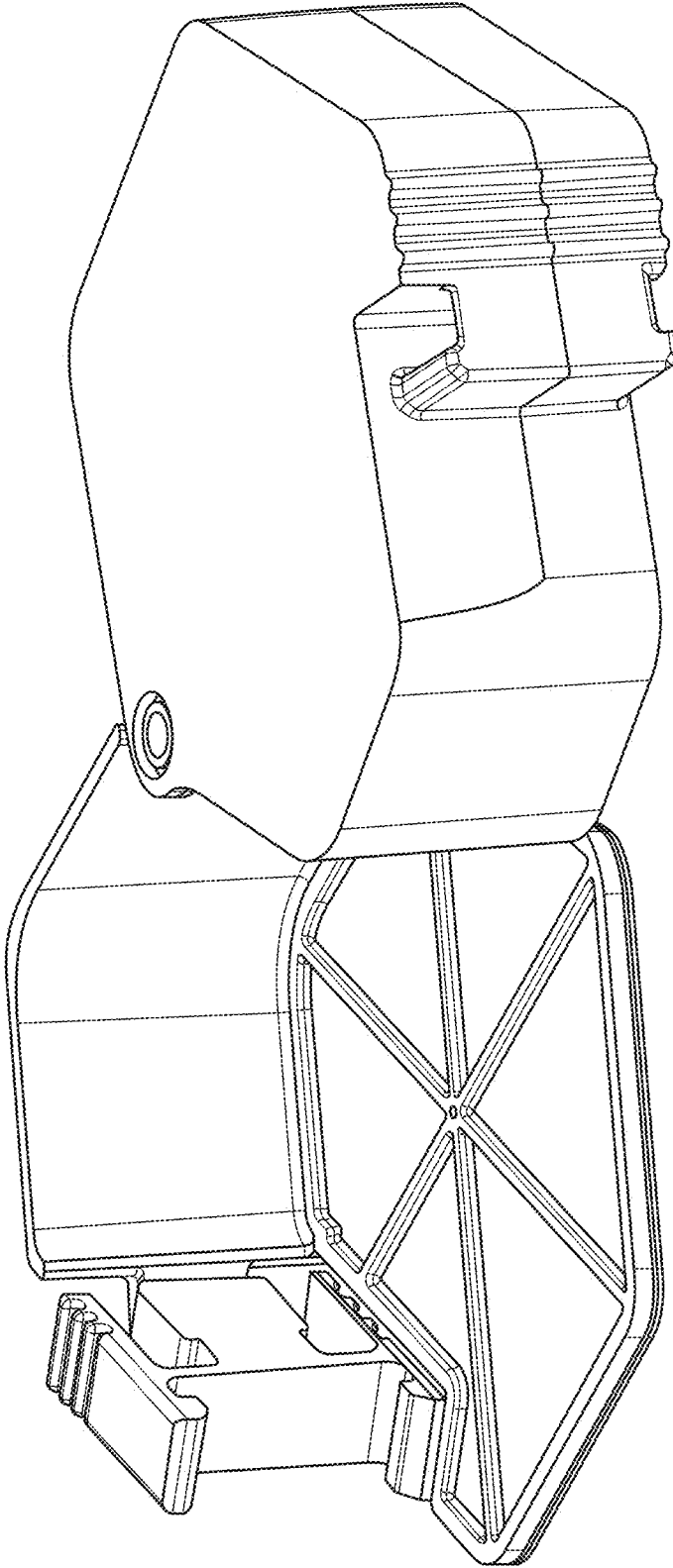


FIG. 7